



**Product Description**

<b>MOUNTING:</b>	<b>LED:</b>	LED light strip mounts on the roller tube.
	<b>Wiring:</b>	Harness and remote control module are removable for storage when the awning is retracted
<b>LENGTH:</b>	Available for awnings 10' – 21' <i>*Maximum LED strip length is 16' 5". Strip is centered on roller tube for units 18' and longer</i>	
<b>POWER:</b>	2A, 12Vdc wired into the vehicle's 12Vdc system. A 110Vac adaptor is furnished to allow the lights to be plugged into a standard 110Vac outlet.	
<b>CONTROL:</b>	The infrared remote control provides: <ul style="list-style-type: none"> <li>• Simple push button on/off</li> <li>• Infinite adjust dimming</li> <li>• 15 color choices + white</li> <li>• Special effects (flash, strobe, fade and smooth)</li> </ul>	

The enclosed directions are for mounting the LED strip on a standard roller tube. The LED strip can be mounted on any flat surface. Follow the directions for cleaning, trimming and wiring for all applications.

## INTRODUCTION

From its beginning in the early 70's, Carefree of Colorado has emerged as the premier manufacturer of quality awnings and accessories for Recreational Vehicles (RVs). Our full line of products can provide the accessories that match your life style; no matter what type of RV you own.

Check with your dealer to discover the products that can make your life more Carefree.

### *TABLE OF CONTENTS*

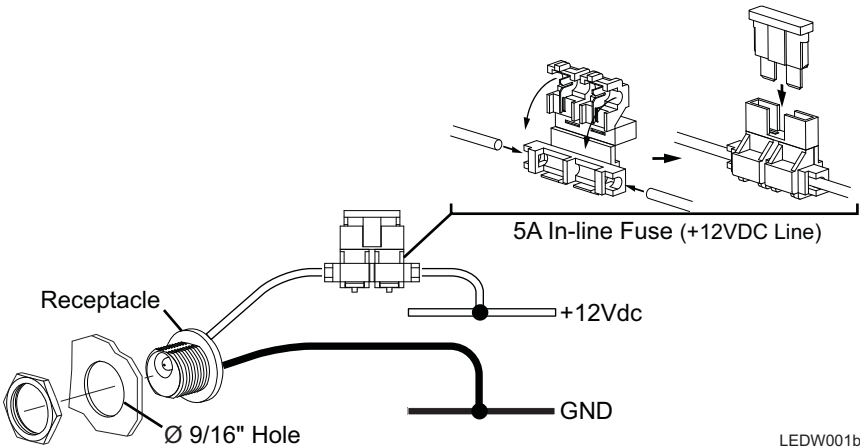
<b>Introduction .....</b>	<b>2</b>
<b>Providing Power .....</b>	<b>3</b>
Installing the 12Vdc receptacle.....	3
<b>Installing the LED Strip.....</b>	<b>3</b>
<b>Operation .....</b>	<b>6</b>
<b>Carefree Major Product Limited Warranty.....</b>	<b>6</b>

## PROVIDING POWER

Power for the LED Lights can be provided through the vehicle's 12Vdc system. An exterior receptacle is used for the power cord plug. Alternately, an 110Vac adaptor is furnished so that the lights may be plugged into a standard 110Vac outlet.

### INSTALLING THE 12VDC RECEPTACLE

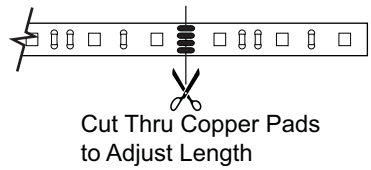
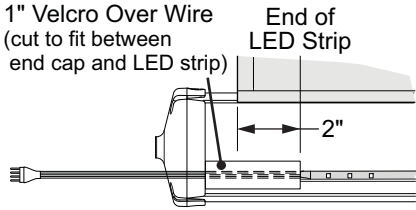
- Determine the location of the receptacle.
  - Locate the receptacle to provide easy access to a 12Vdc power source such as interior overhead cabinet lights or a 12Vdc switch near the door etc.
  - The receptacle location should be comfortably accessible.
  - Position receptacle so that when the cord is plugged in it does not create an obstacle (i.e. headroom for walking under).



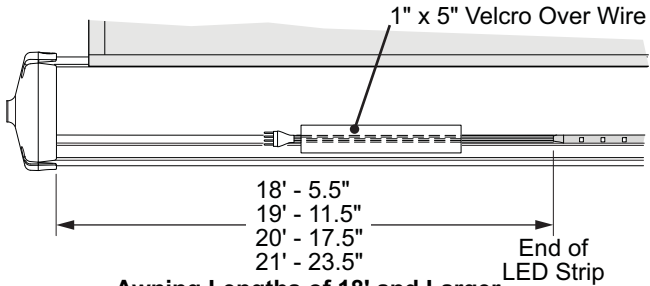
LEDW001b

- At the mounting location, drill an 9/16 inch hole through the mounting surface.
- From inside, insert the receptacle through mounting surface and secure with the supplied nut.
- Route the wires from the receptacle to +12Vdc and ground wires in the vehicle. Receptacle wires are marked (+) for 12Vdc and (-) for ground.
- Splice the receptacle wires to the existing vehicle wires. Ensure that the splices are tight, solid and sealed when completed.
- Install the in-line fuse:
  - Cut the 12Vdc power between the receptacle and the clip. Do not strip the insulation.
  - Insert a wire end into one of the wire channels until it butts against the stop.
  - Fold that half of the connector body over until the element contacts the wire. Use pliers to crimp the connector closed.
  - Repeat for the second wire end.
  - Slide the fuse into the fuse port. Ensure that is firmly seated.

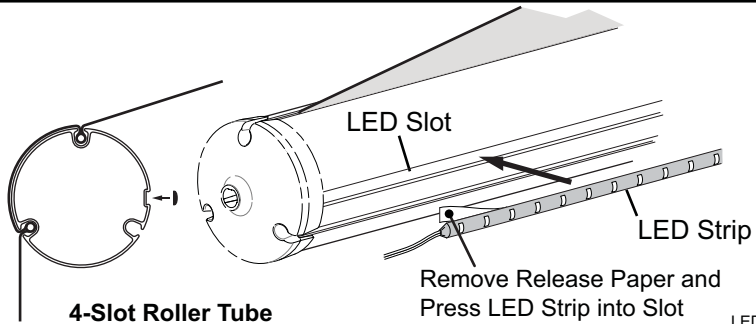
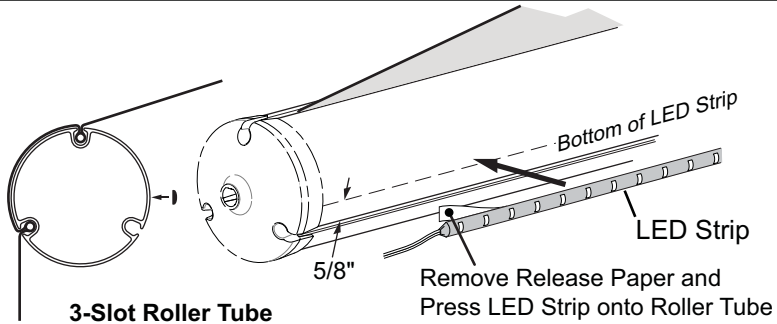
# INSTALLING THE LED STRIP



## Awning Lengths of 17' or Less



## Awning Lengths of 18' and Larger



LEDW002

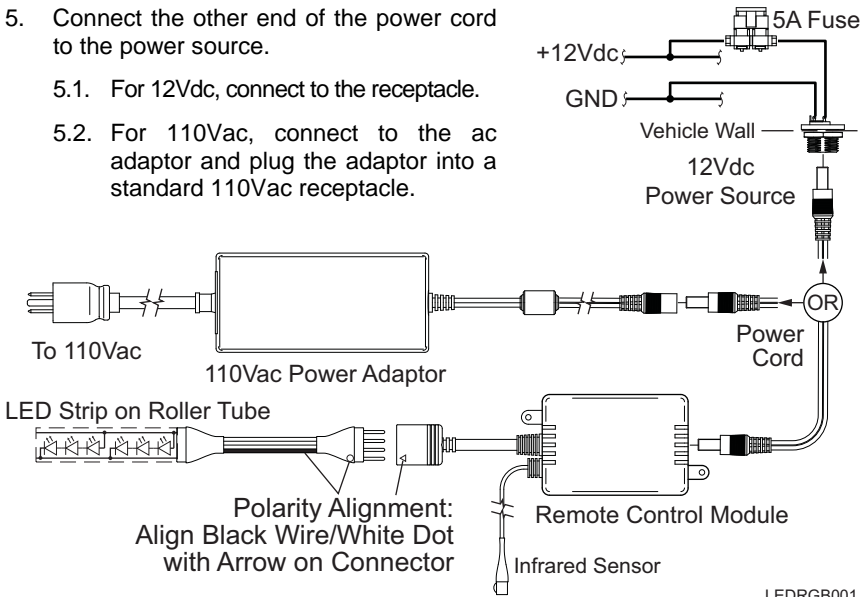
Two types of roller tubes are used on Carefree products. Older roller tubes (3-slot) have a smooth surface between the canopy and the accessory slot. Newer roller tubes (4-slot) have an additional shallow slot for mounting LED strips.

**NOTE:** The LED strip is sent on a roll and must be cut to length during installation for awnings 17' 6" or less.

1. Open the awning to expose the roller tube.
2. Use the isopropyl wipe included with the kit and thoroughly clean the area where the LED strip is to be mounted on the roller tube.
3. Measure the horizontal position of the strip:
  - 3.1. *For awnings 17' 6" or less:* Mark a vertical line on the roller tube that is 2" inside the edge of the canopy. This will be the start of the LED strip (not including the wire).
  - 3.2. *For awnings 18' or longer:* Mark a vertical line using the distances shown on the diagram. This will be the start of the LED strip (not including the wire).
4. *For 3-slot roller tubes:* Using a non-permanent marker, mark a line 5/8" above the accessory slot.
5. Remove the release paper from the back of the strip.
  - 5.1. *For 3-slot roller tubes:* Align the bottom of the strip with the line made in step 5. Start the strip at the mark made in step 3.
  - 5.2. *For 4-slot roller tubes:* Start the strip at the mark made in step 3. Press the strip into the groove.
6. *For awnings 17' 6" or less:* At the end of the roller tube, cut the LED strip approximately 2" inside the canopy edge. To trim the LED strip, always cut through the 4-pad cluster as shown.
7. Lay the wire harness from the LED strip flat against the roller tube. Secure with the 1" x 5" piece of Velcro furnished with the kit. It may be necessary to trim the Velcro to fit as shown.

## OPERATION

1. Open and set the awning per the awning manufacturer's instructions.
2. Connect the wire lead from the control module to the LED strip.
3. Connect the power cord to the control module.
4. Attach the control module using the velcro on the roller tube. Make sure that the infrared sensor is hanging down and exposed.
5. Connect the other end of the power cord to the power source.
  - 5.1. For 12Vdc, connect to the receptacle.
  - 5.2. For 110Vac, connect to the ac adaptor and plug the adaptor into a standard 110Vac receptacle.

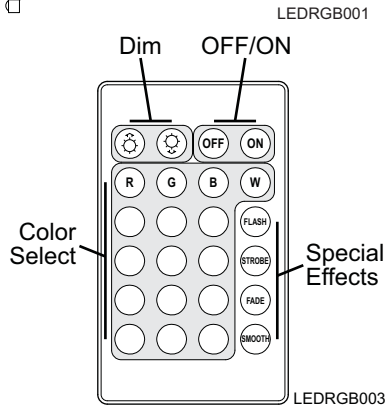


6. To operate the lights use the supplied remote.

The remote control provides:

- Simple push button on/off
- Adjustable dimming
- 15 color choices + white
- Special effects (flash, strobe, fade and smooth)

**Important Note:** The remote uses an infrared signal to the control module. The top of the remote must be pointed at the infrared sensor on the control module.



**CAUTION** Make sure to disconnect and remove the control module before retracting the awning.

Tuck the LED connector under the canopy.

**NOTE:** Tucking the connector under the canopy will securely hold and protect the connector during storage but may cause minor "dimpling" in the canopy.

---

## CAREFREE MAJOR PRODUCT LIMITED WARRANTY

Carefree of Colorado (hereafter referred to as Carefree) warrants to the first retail Purchaser that the Carefree Product is free of defects in material and workmanship within the terms and conditions as set forth in the warranty statement available online at [www.carefreeofcolorado.com](http://www.carefreeofcolorado.com). Carefree's obligation under this warranty is limited to the repair or replacement, at Carefree's option, of any defective component with new or factory refurbished components.

OWNER MUST RETAIN THE ORIGINAL PROOF OF PURCHASE AND/OR HAVE THE PRODUCT WARRANTY REGISTRATION ON FILE AT CAREFREE FOR WARRANTY CLAIMS.

THIS WARRANTY IS NOT TRANSFERABLE.

**For**

- **Warranty Duration;**
- **Warranty Coverage and Exclusions;**
- **Warranty Terms of Coverage; and,**
- **Warranty Claim Procedures**

Refer to publication  
052580-111 "Carefree Major Product Limited Warranty"  
available online at  
[www.carefreeofcolorado.com](http://www.carefreeofcolorado.com)

*Register your Carefree products on-line at [www.carefreeofcolorado.com](http://www.carefreeofcolorado.com)*

**IMPORTANT NOTICE:** It is strongly recommended that adjustments and repairs not described in this book be performed by trained technicians at your Authorized Carefree Dealer. Work performed by non-authorized persons or businesses may void warranty.

