



INSTALLATION MANUAL

SIDEBLOCKER

RV Accessory

The SideBlocker may be mounted on the left or right side of the awning.

⚠ WARNING This product can expose you to chemicals including Di-isodecyl phthalate (DIDP), Vinyl Chloride and Formaldehyde, which are known to the state of California to cause cancer or birth defects or other reproductive harm. For more information visit www.P65warnings.ca.gov

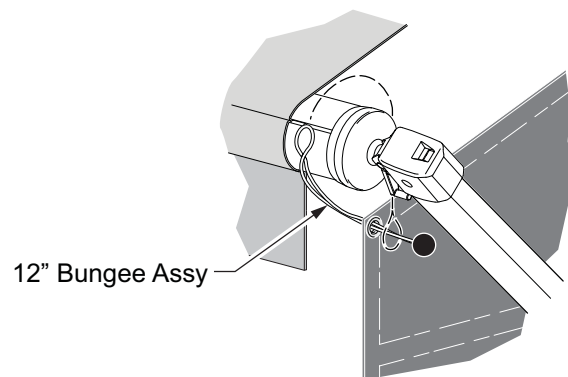
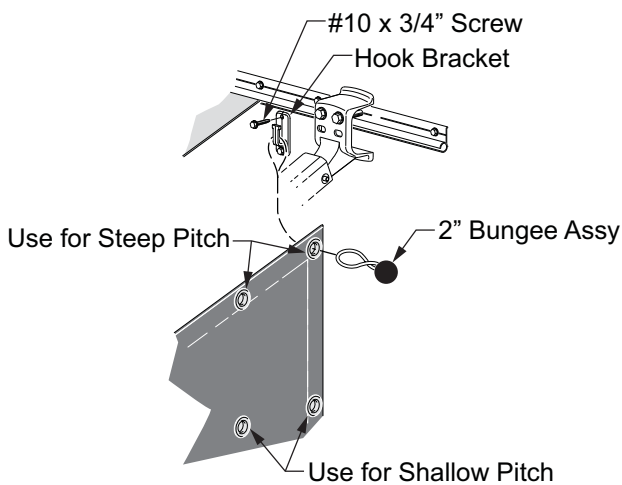


⚠ WARNING Risk of fire. Keep all sources of heat and flame away from the SunBlocker. Fabric is NOT fireproof.

NOTICE Set the awning power switch to off to prevent the awning from retracting when the SideBlocker is installed.

NOTICE Do not roll up the awning with the SideBlocker attached. The awning may not operate correctly and damage to the awning canopy and SideBlocker fabric may occur.

SETUP



SideBlocker001a

1. Open and set the awning according to the manufacturer's instructions.
2. *For first time setup:*
 - Position the hook bracket below the awning rail and centered between the canopy and the awning's upper arm bracket.
 - Using the bracket as a guide, mark and drill two (2) 1/8" pilot holes. Use care to not drill through the inside wall of the vehicle.
 - Coat the holes and back of the bracket with silicone sealant. Then attach the bracket with the #10 x 3/4 screws provided.
 - Repeat step 2 and mount the second bracket on the opposite side of the awning.
3. Unfold the fabric.
4. Slide the short (2") bungee assembly through an eyelet at the top of the panel. Use the grommet that best matches the pitch and extension of the awning.
5. Using the awning pull cane (not included), lift the SideBlocker up and hook the bungee loop over the hook bracket.
6. Lift the front edge of the fabric up and thread the long (12") bungee assembly through the grommet.
7. Loop the bungee over the roll bar and around the bungee assembly ball.
8. Use the supplied stakes and cord to secure the bottom of the fabric through the eyelets.

FABRIC CARE

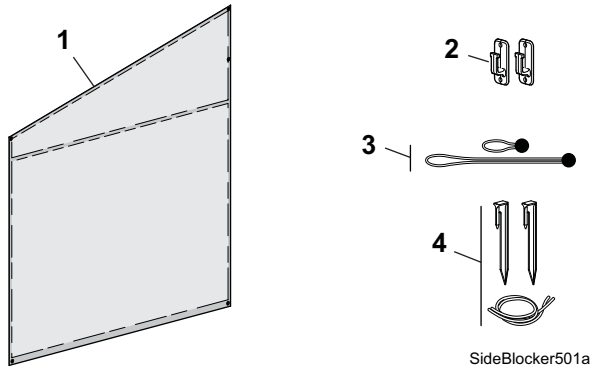
NOTICE Do not use oil based cleaners or any caustic, granulated, or abrasive type cleaners.

1. One of the best ways to keep the fabric looking good and to delay the need for deep or vigorous cleanings is to hose fabrics off on a monthly basis with clear water. This practice will help prevent dirt from becoming deeply imbedded in the fabric. In most environments, a thorough cleaning will be needed every two to three years.
2. When it's time for a thorough cleaning, the fabric can be cleaned while hanging. Use a soft brush and warm water with soap.
3. When cleaning the fabric, it is important to observe the following:
 - Always use a natural soap, never detergent.
 - Water should be cold to lukewarm, never more than 100°F.
 - Air-dry only. Never apply heat to the fabric.
 - Always allow the fabric to dry thoroughly before folding and storing.

Mildew

Mildew is a fungus growth that looks like dirt. Vinyl coated polyester fabrics are mildew resistant because of a chemical biocide in the vinyl coating. Under ordinary conditions, mildew will not appear. However, in areas where high temperature and humidity are common, mildew can be a problem and required the material to be washed more frequently. Thoroughly rinse the fabric with clean water and air dry completely before folding and storing.

ILLUSTRATED PARTS LIST



Item	Part Number	Description	Qty
1	8800XX02	SideBlocker Assy	1
2	901044W	Hook Bracket	2
3	R001363	Bungee Set (includes 1-2" and 1-12" bungee)	1
4	R001354 R012734-001	Rope and Stake Kit Hardware Pack (includes items 2, 3 & 4)	1

Notes: 1. XX = Color

LIMITED WARRANTY

Carefree of Colorado (hereafter referred to as Carefree) warrants to the FIRST retail Purchaser that the SideBlocker is free of defects in material and workmanship for five (5) years from original date of purchase.

This warranty does not apply to damages that are the result of improper installation, misuse or neglect. In addition, wear and fading from normal use is excluded from this coverage.

WARRANTY CLAIM PROCEDURE

1. Retain a copy of the original purchase receipt.
2. If the product is found defective within the warranty period, return the product along with the original purchase receipt to your qualified Carefree dealer.
3. All returns are for product replacement only. No returns for cash or credit are accepted.
4. Carefree does not cover any costs associated with delivery or return of the product.