



INSTALLATION MANUAL FIESTA & FIESTA HD PATIO AWNINGS

RV

MANUALLY OPERATED PATIO AWNING



Read this manual before installing or using this product. Failure to follow the instructions and safety precautions in this manual can result in personal injury and/or cause the product to not operate properly.



These instructions apply to Fiesta & Fiesta HD Awnings. These instructions may also be used as reference for the Spirit and Simplicity Awnings that have been discontinued.

TABLE OF CONTENTS

Component Checklist.....	1
Installation	2
Installing an awning rail (if required)	2
Assembling the Awning	3
Mounting the Bottom Mounting Brackets.....	3
Mounting the Awning	4
Installing the Stop Bolt.....	5
Securing the Fabric	5
Installing the Rubber Bumpers	5
Factory Installed LEDs (Optional).....	6
White LED Schematic and Layout	6
Harness Routing into the Vehicle	6
Switch Installation	7

PROPRIETARY STATEMENT

The Fiesta Patio Awning is a product of Carefree of Colorado, located in Broomfield, Colorado, USA. The information contained in or disclosed in this document is considered proprietary to Carefree of Colorado. Every effort has been made to ensure that the information presented in the document is accurate and complete. However, Carefree of Colorado assumes no liability for errors or for any damages that result from the use of this document.

The information contained in this manual pertains to the current configuration of the models listed on the title page. Earlier model configurations may differ from the information given. Carefree of Colorado reserves the right to cancel, change, alter or add any parts and assemblies, described in this manual, without prior notice.

Carefree of Colorado agrees to allow the reproduction of this document for use with Carefree of Colorado products only. Any other reproduction or translation of this document in whole or part is strictly prohibited without prior written approval from Carefree of Colorado.

SAFETY INFORMATION



This is the safety alert symbol. It is used to alert individuals to potential personal injury hazards. Obey all safety messages that follow this symbol to avoid possible personal injury or death.



Indicates a hazardous situation, which if not avoided, could result in death or serious bodily injury.



Indicates a hazardous situation, which if not avoided, may result in minor or moderate bodily injury.



Indicates a situation that may result in equipment-related damage.

General Safety:



This product can expose you to chemicals including Di-isodecyl phthalate (DIDP), Vinyl Chloride and Formaldehyde, which are known to the state of California to cause cancer or birth defects or other reproductive harm. For more information visit www.P65warnings.ca.gov



Shock Hazard. Always disconnect battery or power source before working on or around the electrical system.



Always wear appropriate safety equipment (i.e. goggles).

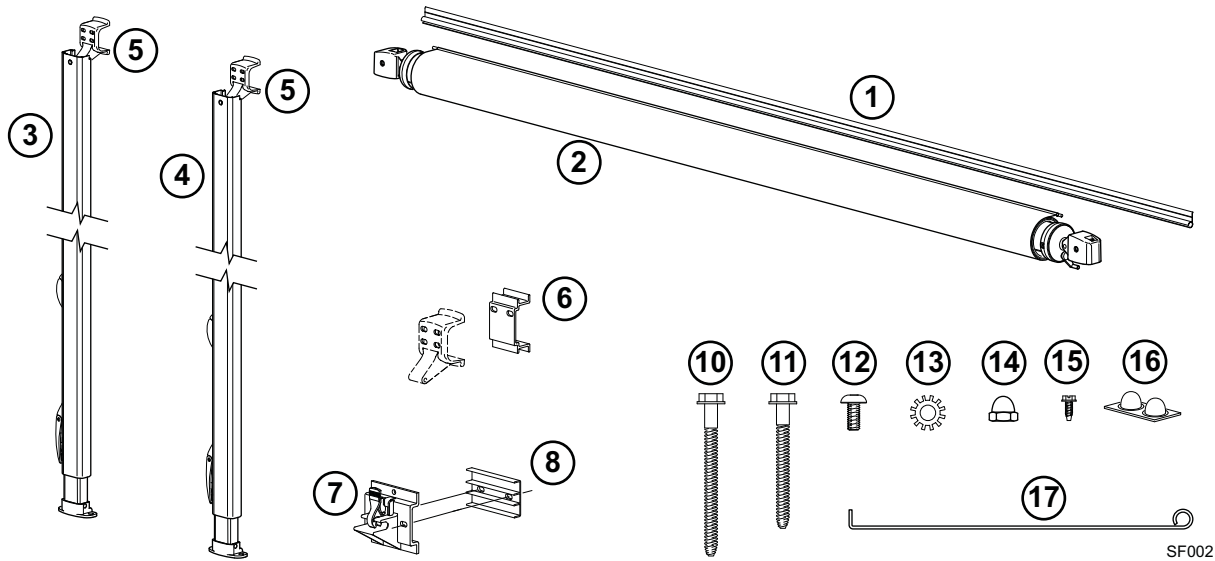


Always use appropriate lifting devices and/or helpers when lifting or holding heavy objects.



When using fasteners, do not over tighten. Soft materials such as fiberglass and aluminum can be "stripped out" and lose the ability to grip and hold.

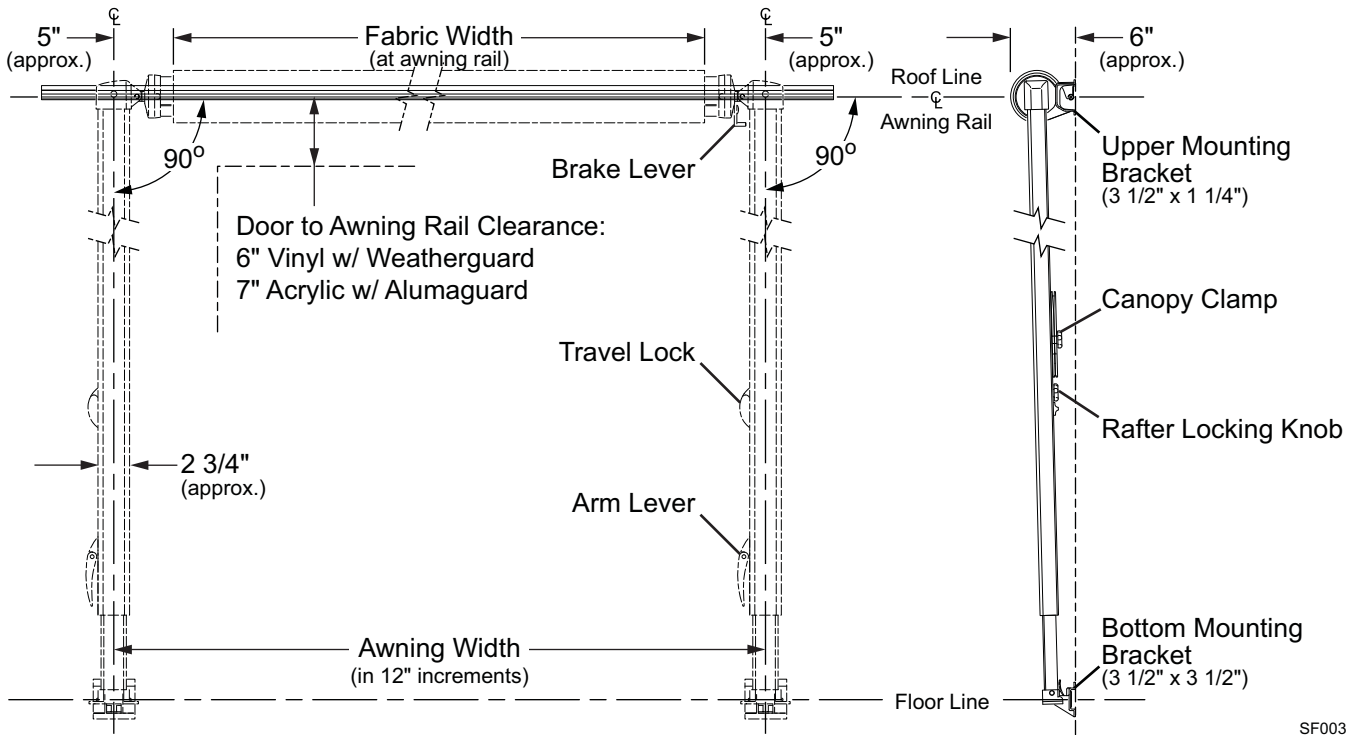
COMPONENT CHECKLIST



<input checked="" type="checkbox"/>	ITEM	DESCRIPTION		QTY	NOTE
BASIC ASSEMBLY					
<input type="checkbox"/>	1	Awning Rail		1	3
<input type="checkbox"/>	2	Roll Bar Assy		1	1
<input type="checkbox"/>	3	Arm Assy, LH		1	1
<input type="checkbox"/>	4	Arm Assy, RH		1	1
<input type="checkbox"/>	5	Upper Mounting Bracket		REF	2
<input type="checkbox"/>	6	Upper Bracket Stand-off, Optional		2	3
<input type="checkbox"/>	7	Lower Mounting Bracket		2	
<input type="checkbox"/>	8	Lower Bracket Shim, Optional		2	3
<input type="checkbox"/>	10	Lag Screw	1/4 x 3	4	
<input type="checkbox"/>	11	Lag Screw	1/4 x 2 1/2	4	
<input type="checkbox"/>	12	Screw, Quadrex Head	1/4-20 x 7/16	4	
<input type="checkbox"/>	13	Lock Washer	1/4	2	
<input type="checkbox"/>	14	Nut, Cap	1/4-20	2	
<input type="checkbox"/>	15	Screw, Hex Washer Head	#6 x 3/8	2	
<input type="checkbox"/>	16	Bumpers (set of 2)		1	
<input type="checkbox"/>	17	Pull Wand		1	

Notes: 1. Awning configuration is specified at time of order, including awning length, fabric, color etc. Check awning assembly against original purchase order.
 2. The upper mounting bracket is pre assembled with the arm assy and is shown for reference only.
 3. Awning rail (item 1), and the upper and lower stand-off brackets and shim (items 6, 8) must be ordered separately.

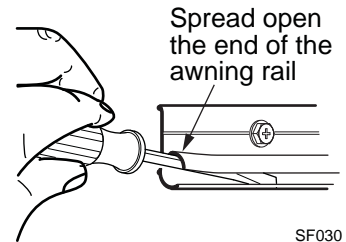
INSTALLATION



SF003

INSTALLING AN AWNING RAIL (IF REQUIRED)

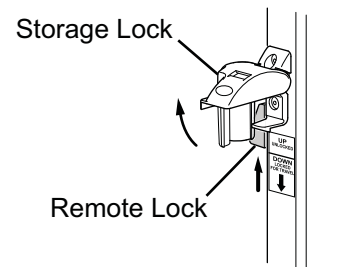
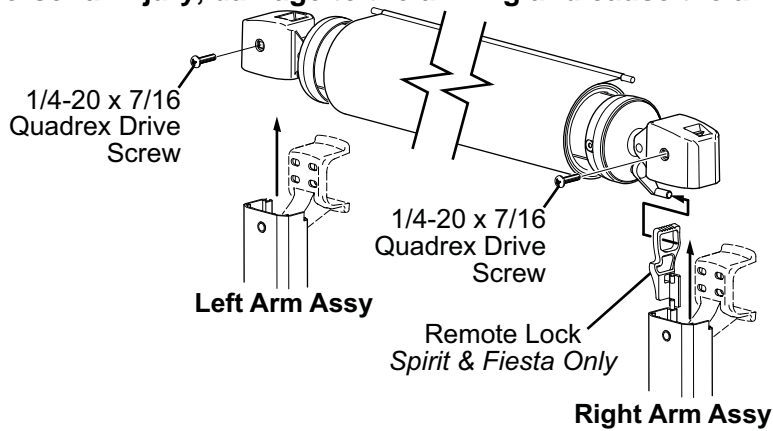
1. Position the awning rail along the roof line (line where roof and wall meet) or a minimum of 6" above the upper edge of the door or windows the awning is covering. Awning rail must be level and parallel with the floor line of the vehicle.
2. After determining mounting position, mark the position with a chalk line.
3. Seal the back of the rail with silicone sealant or putty tape.
4. Align the awning rail onto the wall and secure with #10 x 3/4" screws. Use all the attachment holes in the rail.
5. Use a screwdriver to spread open the left end of the awning rail on the installation side.
6. File any sharp edges or burrs from the end of the rail. This will help protect the awning fabric from damage during installation.
7. Spray inside the awning rail track with silicone lubricant.



SF030

ASSEMBLING THE AWNING

CAUTION DO NOT remove the following items until instructed: 1) TAPE around the canopy; 2) the SAFETY PIN in the roller tube (this is holding the pre-wound spring tension); or, the NYLON STRAP holding the roll bar brake lever. Removing these items prematurely may cause personal injury, damage to the awning and cause the awning to not operate correctly.



DETAIL A
Open Position
Spirit & Fiesta Only
SF004

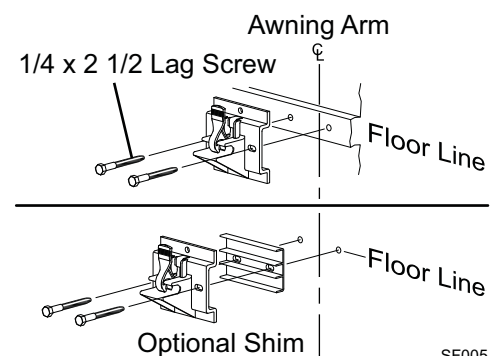
- On a flat surface, layout the arms and rollbar assembly.
 - Position the rollbar with the fabric oriented as shown over the top with the edge toward the coach. The brake lever must be on the right side.
 - For Spirit and Fiesta – The right arm assembly has the remote lock.
- Slide the left arm into the left end plug of the roll bar. Align the holes and secure using one (1) 1/4-20 x 7/16 Quadrex Drive screw.
- Hook the remote lock over the brake lever while sliding the arm into the right end plug. Align the holes in the arm and end plug and secure using one (1) 1/4-20 x 7/16 Quadrex Drive screw.

Tip: Release the travel lock and slide the remote lock up until it protrudes over the arm. Hook the remote over the brake lever. Allow the remote lock to slide back into the channel while sliding the arm into the end plug. REMEMBER TO CLOSE THE TRAVEL LOCK WHEN DONE.
- Measure and confirm the width of the awning. The distance is measured from centerline of arm to centerline of arm. (Refer page **Error! Bookmark not defined..**)

MOUNTING THE BOTTOM MOUNTING BRACKETS

- On the awning rail, mark the position of the centerlines of the arms. Ensure that the arms will not interfere with any lights, vents or other obtrusions.
- Using a non-permanent method of marking such as a chalk line, mark a perpendicular line from the awning rail down to the floor line. This is the centerline of the arms.
- Position and attach the bottom mounting brackets. These should be centered on the lines made in the previous step and MUST be attached to the structure at the floor line of the vehicle. Attach using 1/4 x 2/12 lag screws.

NOTE: The bracket is made to straddle the trim found at the floor line. A flat shim is available for mounting to flat areas without trim.



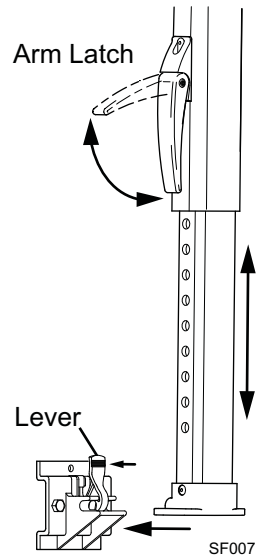
SF005

MOUNTING THE AWNING

1. Measure the distance from the awning rail to the bottom mounting brackets.
2. Adjust the arm length so the distance from the center of the roller to the foot is approximately equal to the measurement in step 1.
 - To adjust arm length, open the arm handle and slide the lower channel up or down as required. Close the handle and slide the lower channel until the locking pin clicks into the nearest positioning hole.
3. Remove the tape from the canopy. Unwrap a small portion of canopy but not more than one wrap.

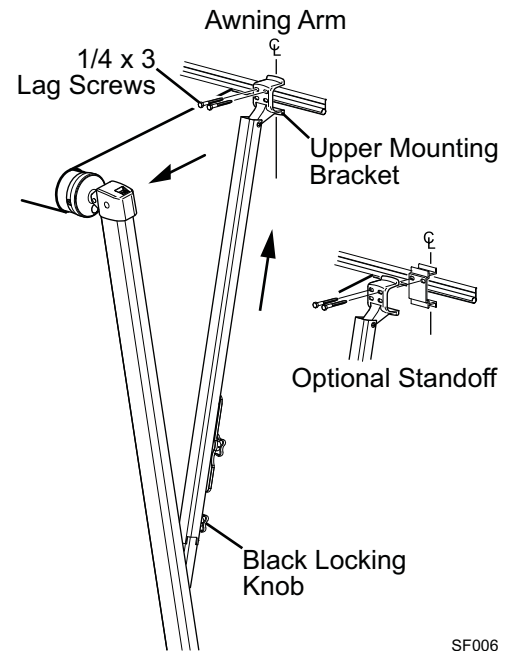
The next step will require two additional people. One to feed the canopy into the awning rail; two to "walk" the arms while the canopy is slid into position.

4. Slide the polycord edge of the canopy (or alumaguard) into the awning rail. Continue to "walk" the arms and canopy down the rail until the arms are in line with the centerline marks made previously.
5. Lift the arm up and secure the foot into the bottom bracket. Repeat for both arms.
6. Firmly grasp the roll bar and remove the safety cotter pin from the left end of the roll bar. Allow the fabric to SLOWLY roll up.



CAUTION Use care when removing the cotter pin. The pin is holding the pre-wound tension of the spring. Failure to securely hold the roller tube may allow the roller tube to rapidly roll up and cause personal injury or damage.

7. Remove the nylon strap holding the brake lever.
8. Carefully open the awning 12 – 18 inches to provide access to the upper mounting bracket.
 - Open the arm storage lock and push the remote lock up.
 - USE THE PULL STRAP and pull the awning out.
9. Loosen the black locking knob on the upper brace.
10. Slide the upper portion of the brace up so that the upper mounting bracket straddles the awning rail.
11. Center the bracket on the arm centerline drawn earlier.
12. Attach the upper bracket using two (2) 1/4 x 3 lag screws. The screws must go into the vehicle structure. It is acceptable that the screws go through the flat portion of the awning rail.
13. Repeat steps 9 through 12 for the other arm.

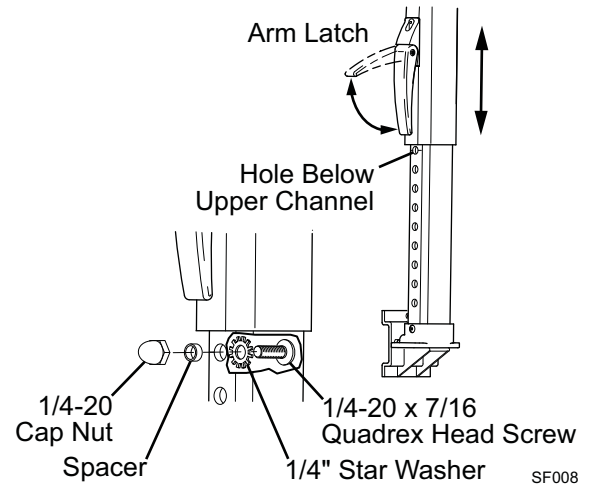


NOTE: The bracket is made to straddle the awning rail. If it is necessary to space the bracket out from the wall, a spacer bracket is available and must be ordered separately.

Installing the Stop Bolt

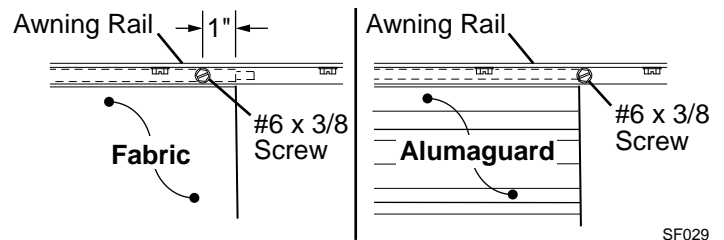
1. Retract the awning.
2. Observe if the centerline of the roll bar is level with or slightly higher than the centerline of the awning rail. Refer to page 5. The bottom of the roller tube must not be higher than the awning rail.
3. Adjust the arm length as required. Open the arm handle and slide the lower channel up or down as required. Close the handle and slide the lower channel until the locking pin clicks into the nearest positioning hole.
4. Mark the position stop hole that is directly below the upper channel.
5. From the inside of the channel, insert a 1/4-20 x 7/16 quadrex head screw with a star washer through the hole. Slide the centering spacer over the screw and inside the mounting hole. Secure with a 1/4-20 cap nut.

Tip: It may be necessary to lift the upper channel to tighten the cap nut.
6. Repeat for other arm.



Securing the Fabric

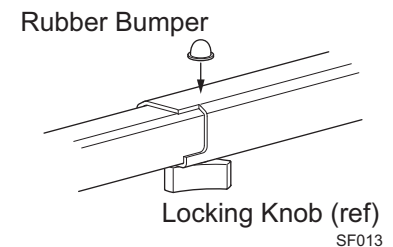
1. Roll the awning in and out several times to make sure that the fabric is square on the rollbar.
2. Secure the canopy fabric or Alumaguard using one, #6 x 3/8" hex head screw at both sides of the awning.
 - 2.1 For vinyl awnings, place screw through awning rail, polyrod and canopy approximately 1" in from the end of the fabric.
 - 2.2 For Uniguard awnings, place screw through awning rail, polyrod and the soft connect material approximately 1" in from the end of the fabric.
 - 2.3 For Alumaguard awnings, place screw on the outer edge of the Alumaguard.



Installing the Rubber Bumpers

Because of vibration and movement, it may be necessary to "tighten" the awning arms when stored in the travel position. Two rubber bumpers are provided for this purpose.

1. Open the awning to expose the top of the upper brace.
2. Peel and stick a rubber bumper on the upper brace, opposite the locking knob as shown.
3. Repeat for second arm.



FACTORY INSTALLED LEDs (OPTIONAL)

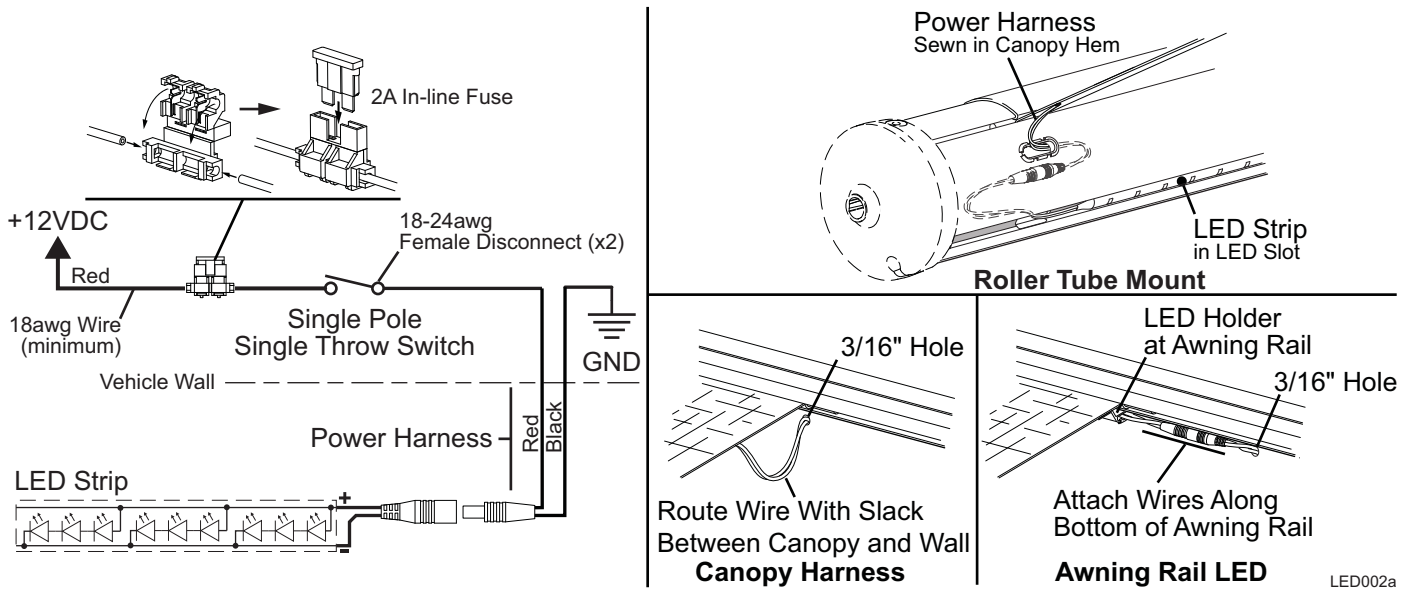
SPECIFICATIONS

Mounting Options:	a) LED light strip is mounted in the roller tube. The power harness is concealed in the canopy hem. b) LED light strip is mounted at the awning rail. Requires special canopy with integrated strip holder.
Length:	Available for awnings 10' – 21'
Power:	1A, 12Vdc
Color:	Bright White 6000K (standard)
Control:	Single pole, single throw switch (SR0101)
	<i>Note: For an installer furnished switch, see notes in "Switch Installation" on page 7</i>

NOTICE The following information must be followed to avoid damage to the wiring during and after installation.

- a) The wire should be secured to the wall of the vehicle where it is exposed on the outside of the vehicle. Use a quality silicone sealant/adhesive.
- b) Do not route the wire over sharp edges or heat sources that can damage the wires or wire insulation.
- c) Damage that is a result of improper routing may void warranty.

WHITE LED SCHEMATIC AND LAYOUT



HARNESS ROUTING INTO THE VEHICLE

1. Drill a 3/16" hole into the vehicle wall below the right edge of the canopy.
2. Route the wires from the canopy into the vehicle. Allow slack in the wire between the canopy and the wall. Seal the hole and wires with a quality silicone sealant.
3. Attach excess wires and connectors (for awning rail applications) along the bottom of the awning rail using a quality silicone sealant.

NOTE: There is approximately 8 feet of wire from the wall entry point. Controls should be located within this distance.

SWITCH INSTALLATION

A single pole switch is required for the white LED installations.

NOTE: Installers may choose to furnish the control switch. The installation requires that the power line (+12VDC) be attached to a dedicated 2A circuit breaker or a 2A in-line fuse must be installed between the switch and power source. For easy access, locate the fuse close to the switch.

1. Determine the location of the switch.
2. At the switch location, cut a 1 1/8" x 1 1/2" hole.
3. Wire the switch as shown below. Wire terminals at the switch are .187, 18-24 awg female disconnects.

NOTE: Allow adequate slack in the 12VDC power line so that the in-line fuse (installed in step 4) can be accessed from behind the switch.

4. Install the in-line fuse:
 - 4.1. Near the switch, cut the red 12VDC power line to the switch. Do not strip the insulation.
 - 4.2. Insert a wire end into one of the wire channels until it butts up against the stop.
 - 4.3. Fold that half of the connector body over until the element contacts the wire. Use pliers to crimp the connector closed.
 - 4.4. Repeat for the second wire end.
 - 4.5. Slide the fuse into the fuse port. Ensure that is firmly seated.
5. Press the in-line fuse, wires and switch into the mounting hole. Secure the switch using two (2) #6 x 1/2" screws.
6. Snap the switch bezel over the switch frame.

