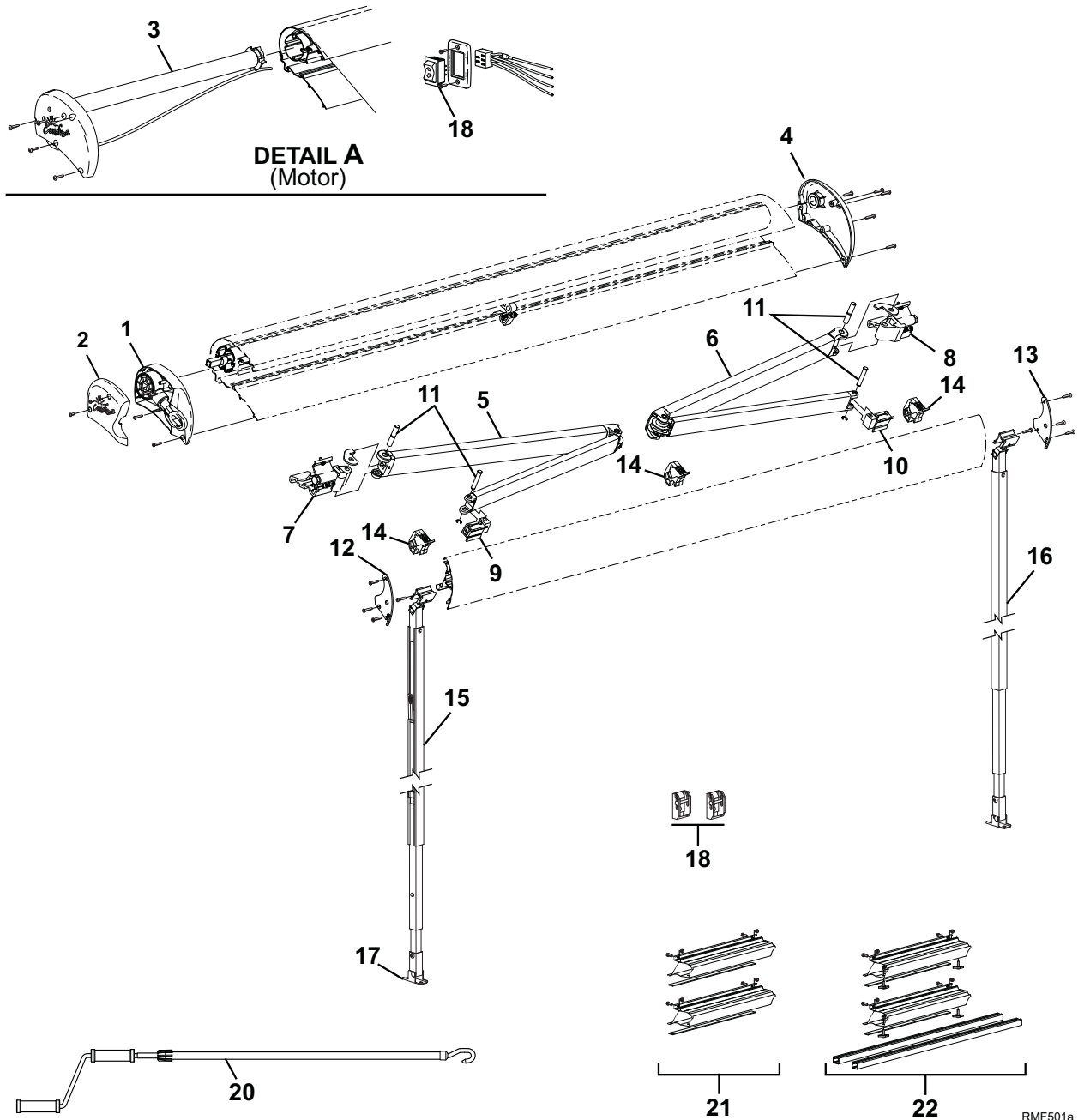


FREEDOM RM ILLUSTRATED PARTS LIST



Item	Part Number	Description	Notes
1	R001593WHT	Crank Assy, White	
	R001593BLK	Crank Assy, Black	
	R001593SAT	Crank Assy, Satin	
2	R037361-005	Endcap Outer, Manual, LH, White	
	R037361-006	Endcap Outer, Manual, LH, Black	
	R037361-001	Endcap Outer, Manual, LH, Satin	
3	R001647WHT	Motor Assembly, White	3,4
	R001647BLK	Motor Assembly, Black	3,4
	R001647SAT	Motor Assembly, Satin	3,4
4	R001594WHT	Endcap Assy, RH, White	
	R001594BLK	Endcap Assy, RH, Black	
	R001594SAT	Endcap Assy, RH, Satin	
5	R012530-TB68L	Spring Arm Assy, LH	Used with 2.44 Meter 1
	R012530-TB76L	Spring Arm Assy, LH	Used with 2.57 Meter
	R012530-TB94L	Spring Arm Assy, LH	Used with 3 Meter & Up 1
6	R012530-TB68R	Spring Arm Assy, RH	Used with 2.44 Meter 1
	R012530-TB76R	Spring Arm Assy, RH	Used with 2.57 Meter 1
	R012530-TB94R	Spring Arm Assy, RH	Used with 3 Meter & Up 1
7	R019280-001	Connector Assy, Case, LH	1
8	R019280-002	Connector Assy, Case, RH	1
9	R019269-003	Connector Assy, Lead Rail, LH	1
10	R019269-002	Connector Assy, Lead Rail, RH	1
11	R001595	Hardware Pack, Arm Attach, 1 Arm	
12	R035389-005	Lead Rail End Plate, LH, White	
	R035389-006	Lead Rail End Plate, LH, Black	
	R035389-001	Lead Rail End Plate, LH, Satin	
13	R035388-005	Lead Rail End Plate, RH, White	
	R035388-006	Lead Rail End Plate, RH, Black	
	R035388-001	Lead Rail End Plate, RH, Satin	
14	R001658	Ramp Kit	5
15	R001655-001	Vertical Support Leg, LH	Used with 3 Meter & smaller 6
	R001655-002	Vertical Support Leg, LH	Used with 3.5 Meter & Up 6
16	R001655-101	Vertical Support Leg, RH	Used with 3 Meter & smaller 6
	R001655-102	Vertical Support Leg, RH	Used with 3.5 Meter & Up 6
17	R00394	Carport Foot	
18	R019283-005	Kit, Bottom Bracket, White	qty: 2
	R019283-006	Kit, Bottom Bracket, Black	qty: 2
	R019283-001	Kit, Bottom Bracket, Satin	qty: 2
19	R001605	Switch Kit	
20	R001546-RP	Crank Handle	
21	R014644-001	Bracket Kit (includes 2 brackets and hardware)	Flat Roof
22	R014644-002	Bracket Kit (includes 2 brackets and hardware)	Sprinter Roof 2

- Notes:
1. Attaching hardware not included with assemblies. Order item 11.
 2. Sprinter brackets require the Sprinter roof channel . Substitute channels included in kit for vehicles without the OEM installed channels.
 3. Motor assy (tem 3) includes motor, bearing, one-way drive and end cap. Motor components not available separately.
 4. A motor upgrade kit (SR0098XXX) is available for manual crank awnings and includes motor assembly (item 3), switch kit (item 18) and attaching hardware.
 5. Ramp kit (item 14) contains 3 each ramp assemblies.
 6. Original vertical support legs uses a gray flipper latch. Replacement latch kit is R00144. Kit not available if leg has orange flipper latch.