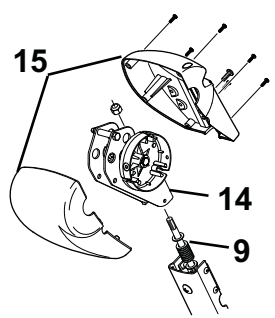
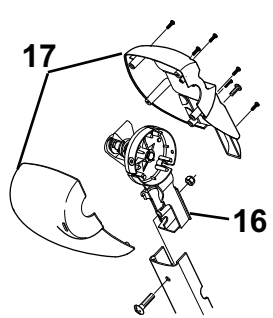


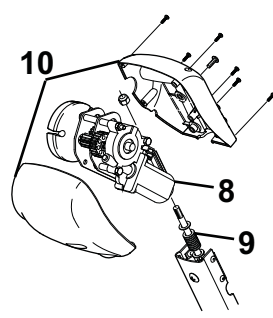
TRAVEL'R, FIXED PITCH ILLUSTRATED PARTS LIST



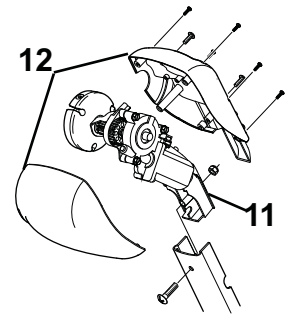
Series I



Series II



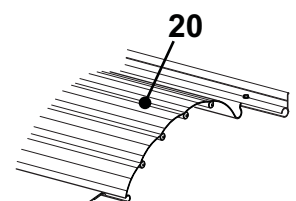
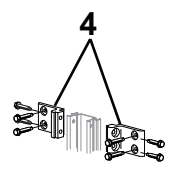
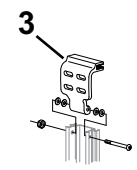
Series I



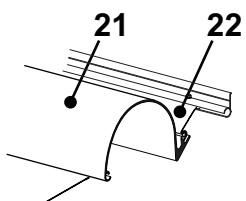
Series II

DETAIL B
(Idler Head)

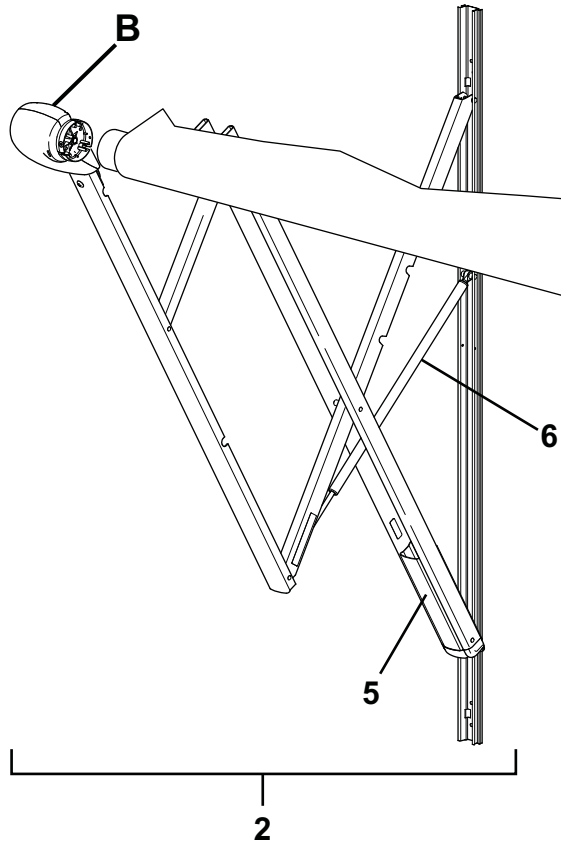
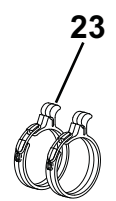
DETAIL A
(Motor Head)



Alumaguard



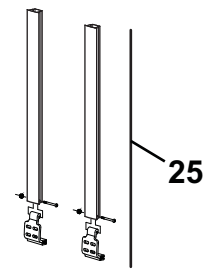
Uniguard



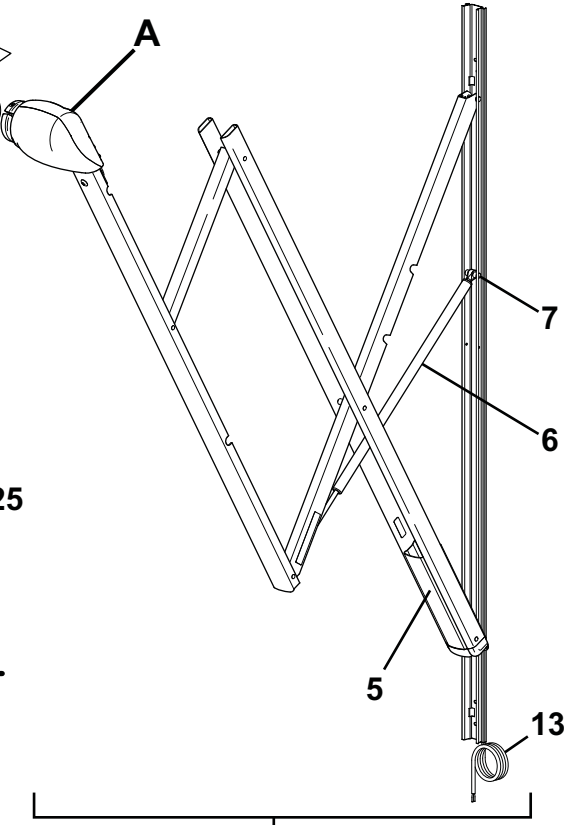
19

18

2



25



A

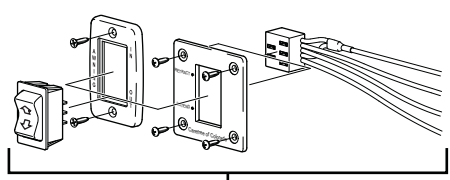
7

6

5

13

1



24

TravelR502

Item	Part Number	Description	Notes
1	Contact Carefree for Order Information	1/2 Set Hardware, Arm Assy, , Motorized, RH	Flat Pitch 2
2		1/2 Set Hardware, Arm Assy, , Motorized, RH	Steep Pitch 2
3	R001094XXX	1/2 Set Hardware, Arm Assy, , Idler, LH	Flat Pitch 2
4		1/2 Set Hardware, Arm Assy, , Idler, LH	Steep Pitch 2
5	R0019319XXX	Top Mounting Bracket	Used w/ Aftermarket Only
6	R001532XXX	Quick Mount Bracket Kit (includes 4 brackets and hardware)	
7	R001533XXX	Fascia, 11", Flat Pitch	qty: 1 3
8	R001252	Fascia, 3", Steep Pitch	qty: 1 3
9	R001252	Gas Shock	Flat Pitch
10	R001331	Gas Shock	Steep Pitch
11	R001576	Shock Hardware Kit	
12	R001104XXX	Motor Assy	Series I
13	R001323	Kit, Head Attach Hardware	Series I
14	R001324XXX	Kit, Motor Cover	Series I 4
15	R001326XXX	Kit, Motor Assy	Series II 5
16	R001328XXX	Kit, Motor Cover	Series II 4
17	R060414-006	Cable, Motor	
18	R001107XXX	Idler Assy	Series I
19	R001325XXX	Kit, Idler Cover	Series I 4
20	R001327XXX	Kit, Idler Assy	Series II 5
21	R001329XXX	Kit, Idler Cover	Series II 4
22	19xx00	Roller Tube,3-slot	3 1/2" Dia
23		Canopy	Refer to Canopy Order Form
24	20xxx36XXX	Alumaguard Assembly Only	
25	R001246XXX-xxx	Uniguard (includes 4.25" soft connect)	
26	R001246XXX-xxxT	Uniguard (includes 5.25" soft connect)	
27	R001247XXX-xxx	Soft Connect	4.25" Wide
28	R001247XXX-xxxT	Soft Connect	5.25" Wide
29	R00928	Tractioner	set of two
30	R001605	Kit Single Switch	6
31	R014634-025	Extension Kit, White	
32	<i>The following parts are not shown</i>		
33	R014492-251	Hardware Pack, w/ Top Bracket	White
34	R014489-JV1	Hardware Pack, w/ Top Bracket	Black

- Notes:
1. XXX = Color; xx = Length in inches.
 2. Arm assemblies are configuration specific and cannot be interchanged. When ordering, provide the following information: part number, serial number, flat/steep pitch.
 3. Fascia kit includes one fascia and screws.
 4. Head cover kits include one front cover, one rear cover and screws.
 5. Series II replacement motor and idler assemblies includes screw and nut.
 6. Switch kit includes switch, faceplates, screws and connector. Kit replaces all previous single switch kits.