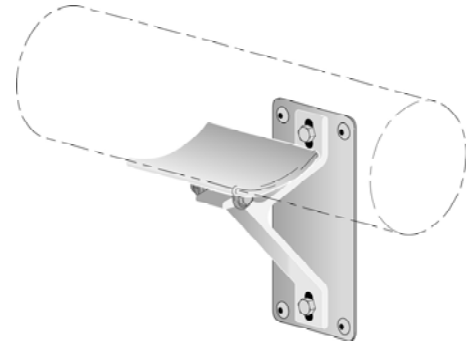
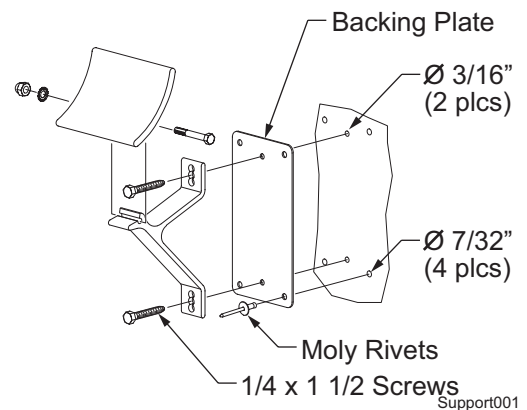
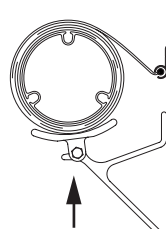
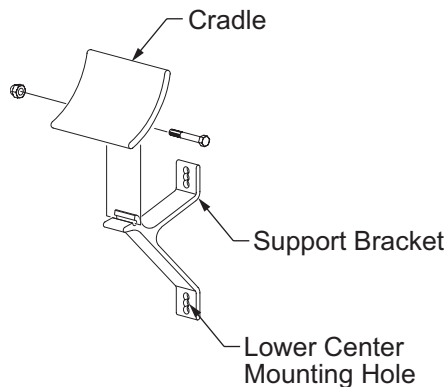


RV Accessory

- Provides support and eliminates the weight and natural sag in the middle of the roller.
- The cradle automatically pivots out of the way when the roller is extended.
- The cradle support automatically captures the roller when the awning is retracted.
- Works with all awning brands.
- Does not work with curved arm applications.


INSTALLATION

1. If open, close the awning.



2. Temporarily attach the cradle to the support bracket using the supplied screw and acorn nut.
3. Position cradle and bracket beneath the roller as shown.
 - For vinyl awnings: Press the cradle and bracket upward until the cradle is seated against the fabric.
 - For awnings with alumaguard: Press the cradle and bracket upward until the slack in the metal slats of the alumaguard is removed.

⚠ CAUTION

DO NOT LIFT THE SUPPORT SO THAT THE ROLLER TUBE IS IN TENSION. DOING SO CAN CAUSE THE SUPPORT TO INTERFERE WITH PROPER OPERATION OF THE AWNING AND CAUSE DAMAGE TO THE SUPPORT AND/OR ALUMAGUARD METAL WRAP IF INSTALLED.

4. Mark the position of the lower center mounting hole of the support bracket. Set the cradle and bracket aside.
 5. Open the awning and raise it to the highest pitch. This is to provide access clearance to attach the components.
 6. Align the backing plate with the mark made previously. Ensure that the plate is perpendicular to the awning rail.
 7. Using the backing plate as a template, drill 4 7/32" holes through the corners and into the coach wall.
 8. Attach the plate using 4 moly rivets.
 9. Through the two center holes of the plate, drill two 3/16" pilot holes.
 10. Remove the cradle from the support.
 11. Attach the support bracket to the backing plate and coach wall using two 1/4 x 1 1/2 screws.
 12. Attach the cradle to the support bracket using the supplied screw, lock washer and cap nut. Tighten the nut fully.
- Tip: Lightly spray the mounting holes of the cradle and the shaft of the screw with a dry silicone lubricant before assembling.*

LIMITED WARRANTY

Carefree of Colorado (hereafter referred to as Carefree) warrants to the FIRST retail Purchaser that the Auto Support is free of defects in material and workmanship for one (1) year from original date of purchase.

This warranty does not apply to damages that are the result of improper installation, misuse or neglect. In addition, wear and fading from normal use is excluded from this coverage.

WARRANTY CLAIM PROCEDURE

1. Retain a copy of the original purchase receipt.
2. If the product is found defective within the warranty period, return the product along with the original purchase receipt to your qualified Carefree dealer.
3. All returns are for product replacement only. No returns for cash or credit are accepted.
4. Carefree does not cover any costs associated with delivery or return of the product.

